

## Standard Preparation 1600 mm Vegetables Processing/ Washing Table with Upstand

ITEM # \_\_\_\_\_

MODEL # \_\_\_\_\_

NAME # \_\_\_\_\_

SIS # \_\_\_\_\_

AIA # \_\_\_\_\_


**132766 (TLV1600PN)**

Vegetables Processing Table with 2 polythene cutting boards, knife holder, 2 perforated Top covers and upstand, 1600mm

### Short Form Specification

**Item No.** \_\_\_\_\_

50mm high worktop in 304 AISI stainless steel , 2 bowls (684x303x180h mm). Integral radiused rear upstand, h=100mm. Square section legs 40x40mm on 1" height-adjustable feet in 304 AISI stainless steel.

N.1 polythene cutting board and scraping hole on front.

### Main Features

- Sturdiness, stability and reliability of table accurately tested.

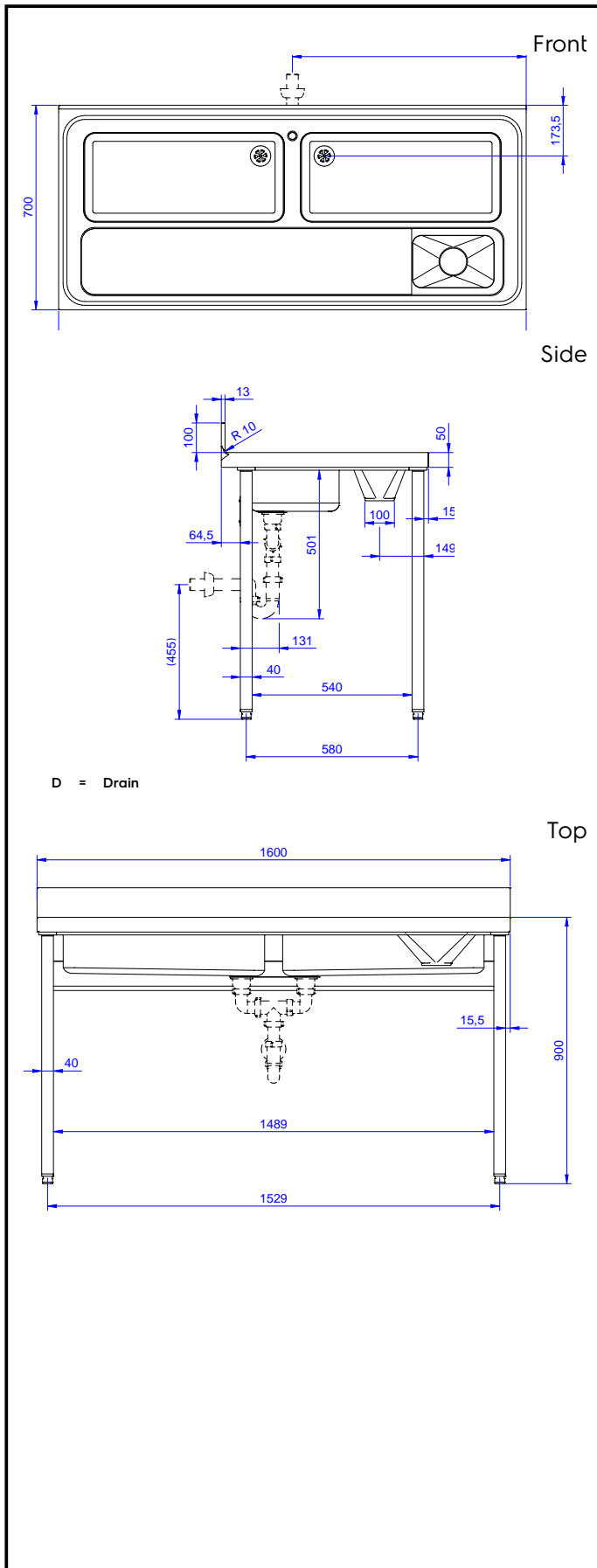
### Construction

- Table can be equipped with a mobile bin with lid for waste disposal (optional accessory).
- 50 mm worktop in 304 AISI stainless steel, 10/10 in thickness with upturned edges and reinforced waterproof underpanel, incorporates a layer of sound deadening materials.
- Square section legs and 40 mm height-adjustable feet in 304 AISI stainless steel.
- Table can be equipped with a set of castors as an alternative to the feet.
- 100 mm upstand with 10 mm radiused corner and 13 mm deep, designed to be used against a wall.
- Upstand back completely covered with Stainless Steel welded profile.

### Optional Accessories

- Lower shelf for 1600mm tables and sinks PNC 855147
- Set of 4 wheels (2 with brake) d. 100mm for tables and sinks (total height on wheels= 993 mm) PNC 855150
- 3-sided underframe for 1600mm tables PNC 855154
- Single plastic drain syphon 1,5 " for work tables with bowl PNC 855306
- Elbow operated mixer tap with spout 3/4", single hole PNC 855322
- Elbow operated mixer tap with short spout 3/4", single hole PNC 855323
- Foot operated mixer tap (hot and cold) with spout 3/4" PNC 855328

**APPROVAL:** \_\_\_\_\_



### Key Information:

<b>External dimensions, Width:</b>	
<b>132766 (TLV1600PN)</b>	1600 mm
<b>External dimensions, Depth:</b>	700 mm
<b>External dimensions, Height:</b>	1000 mm
<b>Upstand Dimensions, Height:</b>	100 mm
<b>Upstand Dimensions, Depth:</b>	13 mm
<b>Upstand Dimensions, Radius:</b>	R=10
<b>Worktop thickness:</b>	50 mm
<b>Net weight:</b>	60 kg
<b>Number of cutting boards</b>	2
<b>Cutting board dimensions - width</b>	430 mm
<b>Cutting board dimensions - depth</b>	640 mm
<b>Cutting board dimensions - height</b>	25 mm